



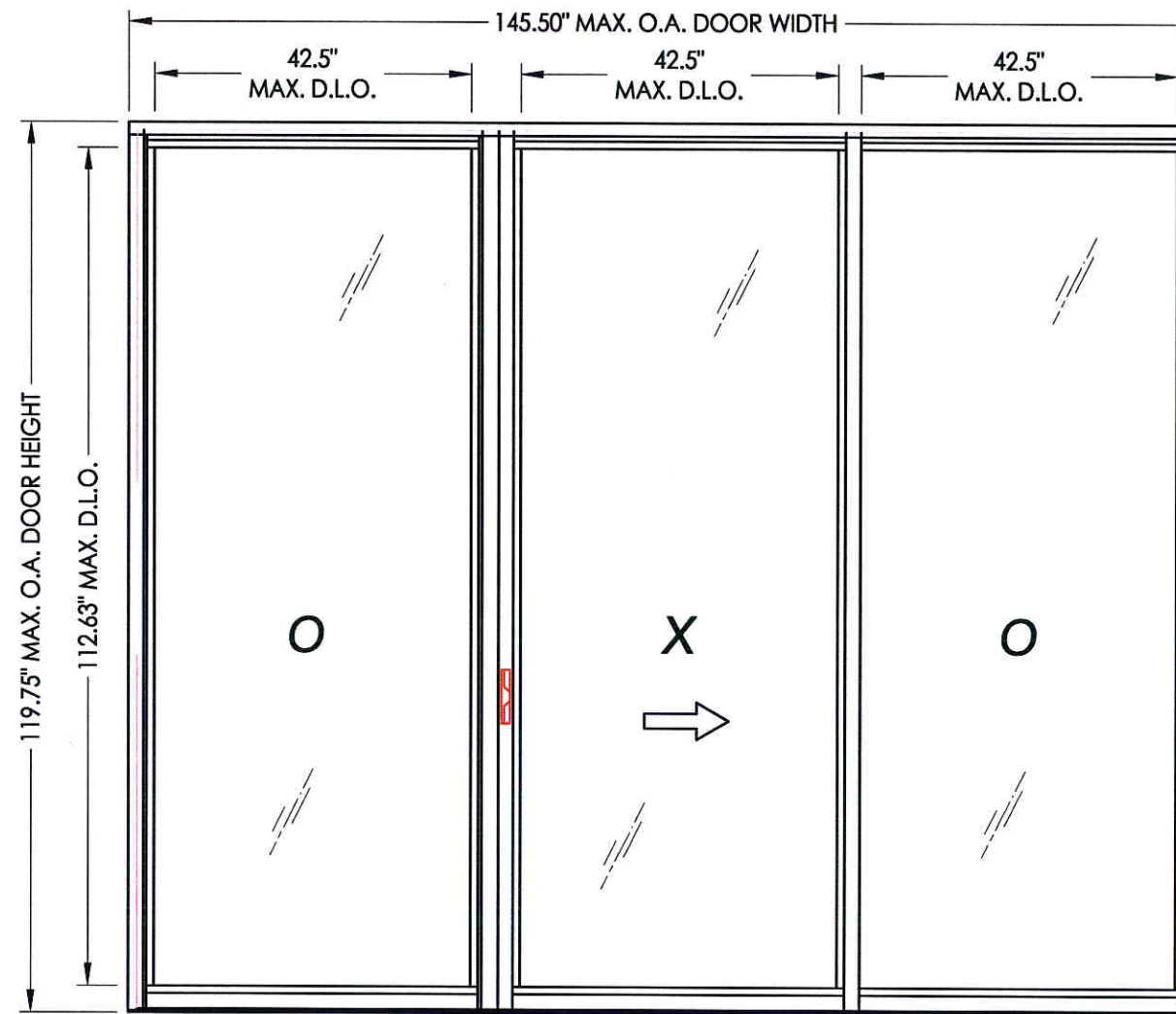
## SUNDOR 5000 SLIDING GLASS DOOR "Small MISSILE IMPACT"

### GENERAL NOTES

1. This product has been evaluated and is in compliance with the 2010 Florida Building Code (FBC) structural requirements excluding the "High Velocity Hurricane Zone".
2. Product anchors shall be as listed and spaced as shown on details. Anchor embedment to base material shall be beyond wall dressing or stucco.
3. When installed greater than 30 feet above grade in areas requiring wind borne debris protection this product complies with Section 1609.1.2 of the 2010 FBC and does not require an impact resistant covering. This product meets missile level "A" and includes Wind Zone 4 as defined in ASTM E 1996 and Section 1609.1.2.4 of the FBC.
4. When installed 30 feet or less above grade in areas requiring wind borne debris protection this product must be protected with an impact resistant covering that complies with section 1609.1.2 of the 2010 FBC.
5. Site conditions that deviate from the details of this drawing require further engineering analysis by a licensed engineer or registered architect.

TABLE OF CONTENTS

SHEET #	DESCRIPTION
1	TYPICAL ELEVATIONS, DESIGN PRESSURES & GENERAL NOTES
2	DOOR PANEL SECTIONS
3	DOOR PANEL SECTIONS
4	SIDELITE PANEL SECTIONS
5	CORNER DETAILS
6	HORIZONTAL CROSS SECTIONS
7	VERTICAL CROSS SECTIONS
8	ANCHORING - CONCRETE SUBSTRATE
9	ANCHORING - STEEL SUBSTRATE
10	COMPONENTS
11	BILL OF MATERIALS & COMPONENTS



O.A. FRAME DIMENSION	D.L.O. DIMENSION	REINFORCED	GLASS TYPE	DESIGN PRESSURE (PSF)	
				POSITIVE	NEGATIVE
145.40" x 119.75"	42.50" x 112.63"	YES	G3, G4	100.0	100.0
145.50" x 119.75"	42.50" x 112.63"	NO	G1, G2 G3, G4	70.0	75.0

Documents Prepared By:

**RW** BUILDING CONSULTANTS, INC.  
P.O. Box 230 Valrico FL 33595  
Phone No.: 813.659.9197  
Florida Board of Professional Engineers  
Certificate Of Authorization No. 9813  
*LFS* 8/24/12  
Lyndon F. Schmidt, P.E. No. 43409

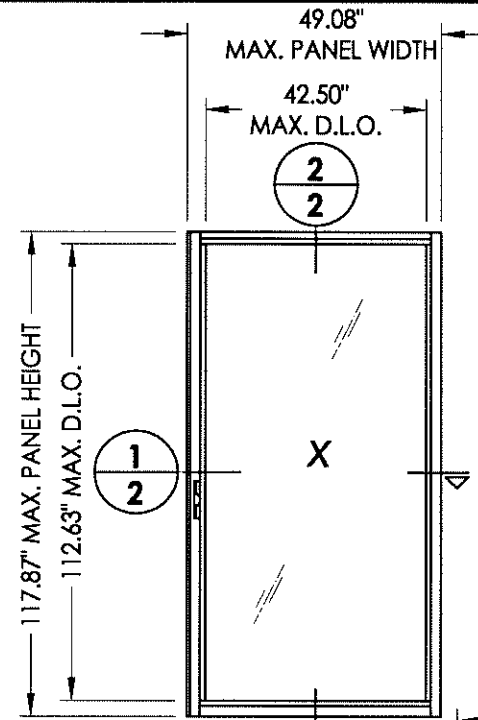
PRODUCT: SLIDING GLASS DOOR

PART OR ASSEMBLY:  
TYPICAL ELEVATION, DESIGN PRESSURES & GENERAL NOTES

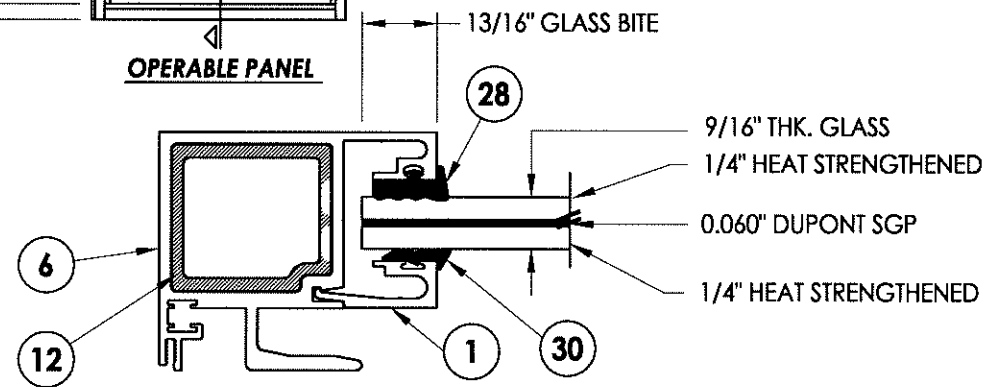
NO.	DATE	BY	REVISIONS

DATE: 8/24/12  
SCALE: N.T.S.  
DWG. BY: JK  
CHK. BY: LFS  
DRAWING NO.: FL-15903.19  
SHEET 1 OF 11

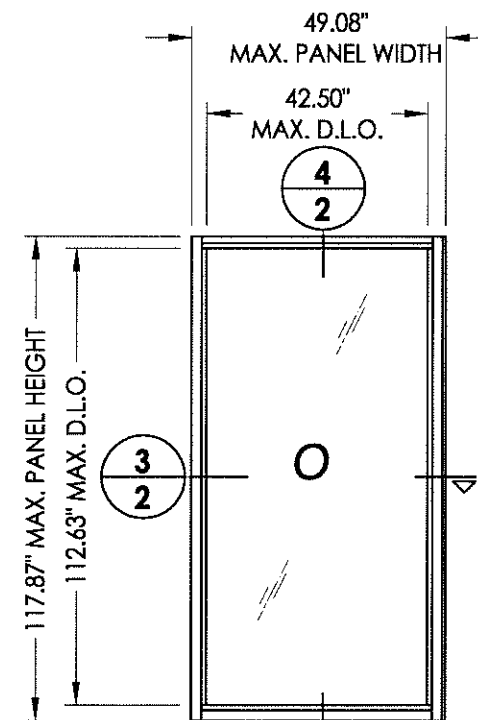
R:\A - Projects\Project Folders\Proj 1601 - 1700\PF 1692\D. RWBC Drawings\FL-15903.13-21.dwg, 2.19



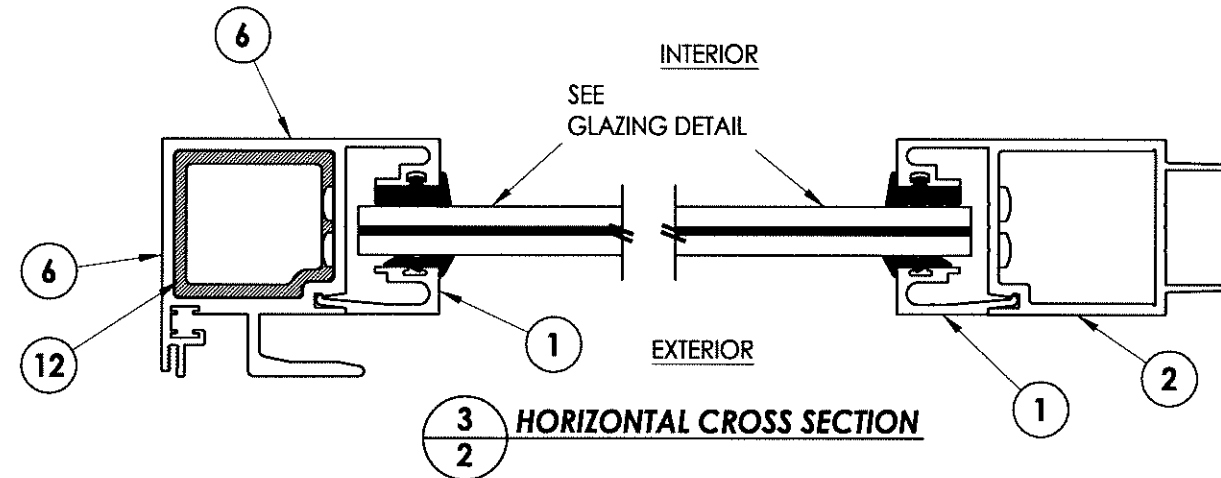
OPERABLE PANEL



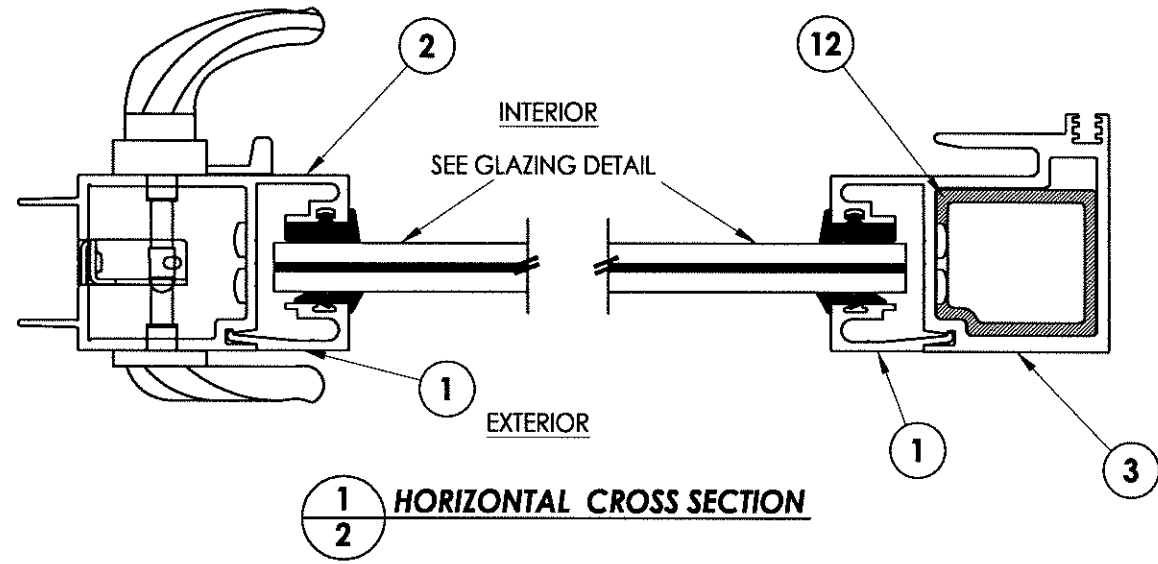
**G2** **GLAZING DETAIL (DRY GLAZED)**  
MONOLITHIC  
9/16" LAMINATED GLASS



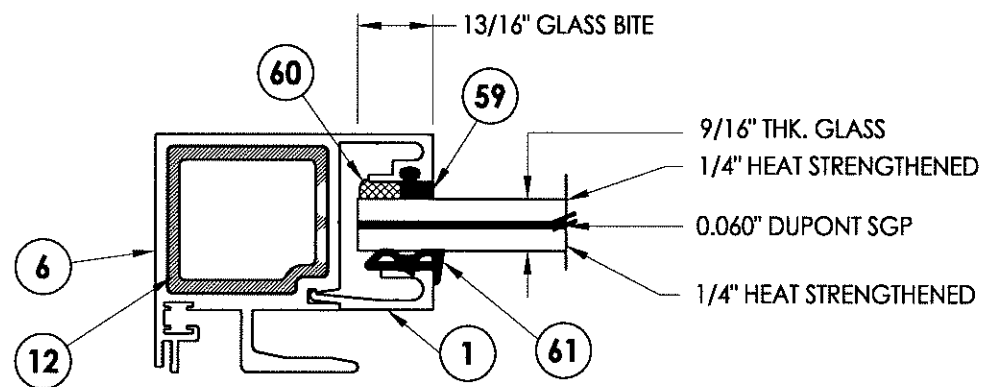
FIXED PANEL



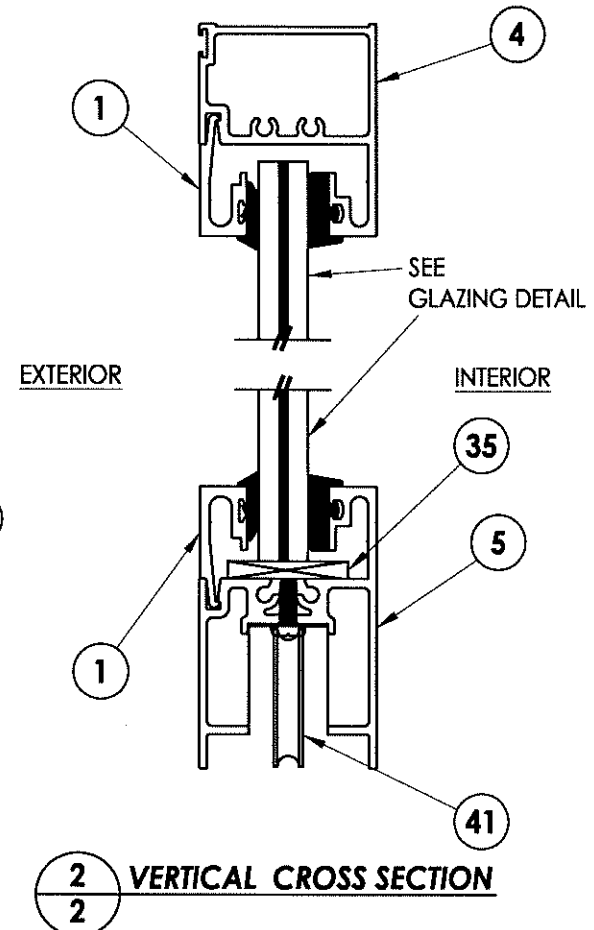
**3** **HORIZONTAL CROSS SECTION**



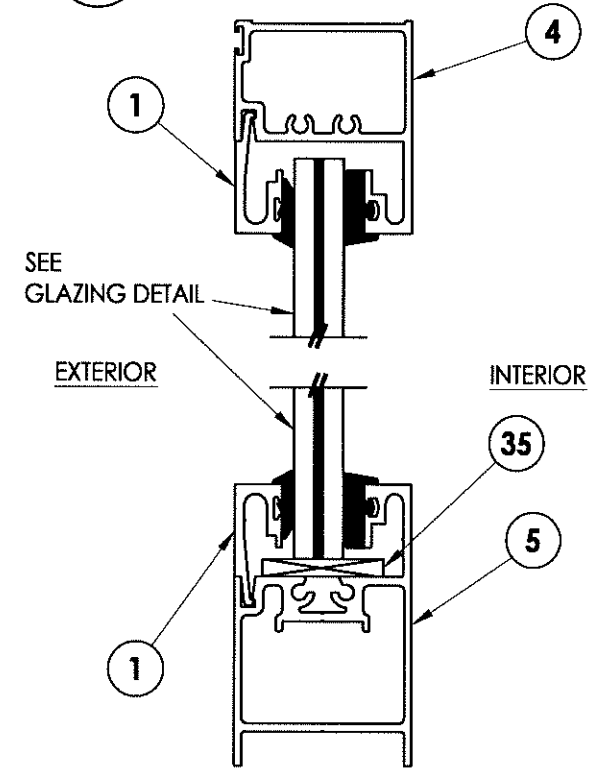
**1** **HORIZONTAL CROSS SECTION**



**G3** **GLAZING DETAIL (WET GLAZED)**  
MONOLITHIC  
9/16" LAMINATED GLASS



**2** **VERTICAL CROSS SECTION**



**4** **VERTICAL CROSS SECTION**

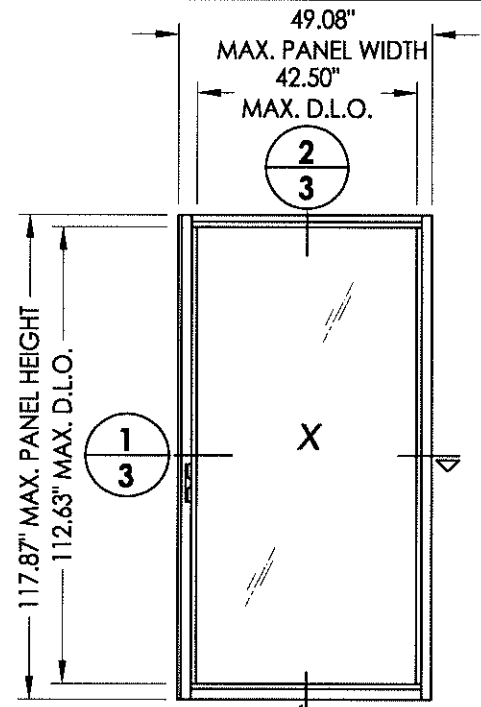
Documents Prepared By:  
**RW** BUILDING CONSULTANTS, INC.  
P.O. Box 230 Valrico FL 33595  
Phone No.: 813.659.9197  
Florida Board of Professional Engineers  
Certificate Of Authorization No. 9813  
Lyndon F. Schmidt, P.E. No. 43409

PRODUCT: SLIDING GLASS DOOR  
PART OR ASSEMBLY: DOOR PANEL SECTIONS

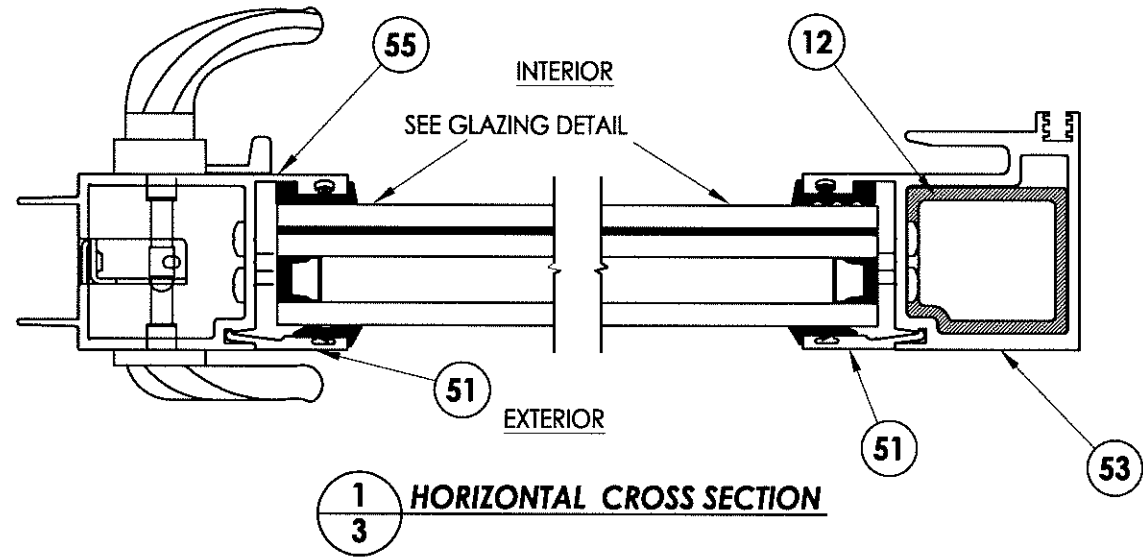
NO.	DATE	BY

DATE: 8/24/12  
SCALE: N.T.S.  
DWG. BY: JK  
CHK. BY: LFS  
DRAWING NO.: FL-15903.19  
SHEET 2 OF 11

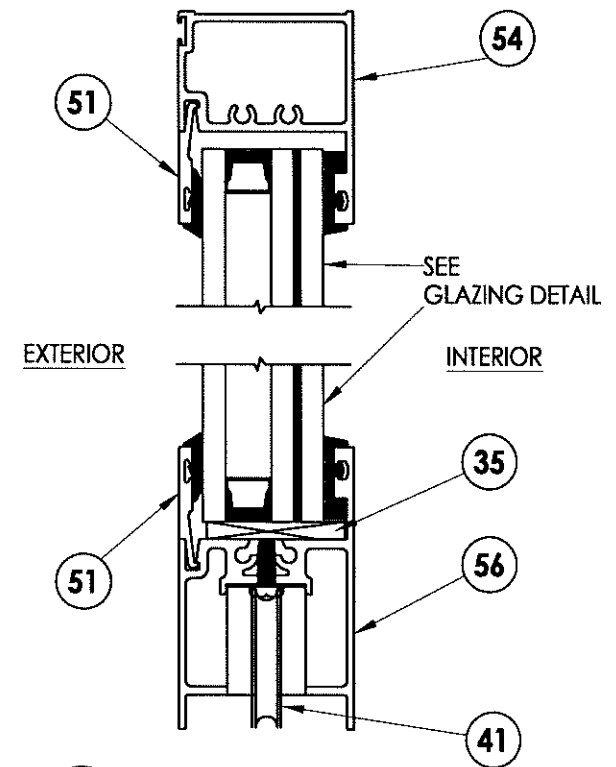
R:\A - Projects\Project Folders\Proj 1601 - 1700\PF 1692\1D. RWBC Drawings\FL-15903.13-21.dwg, 3.19



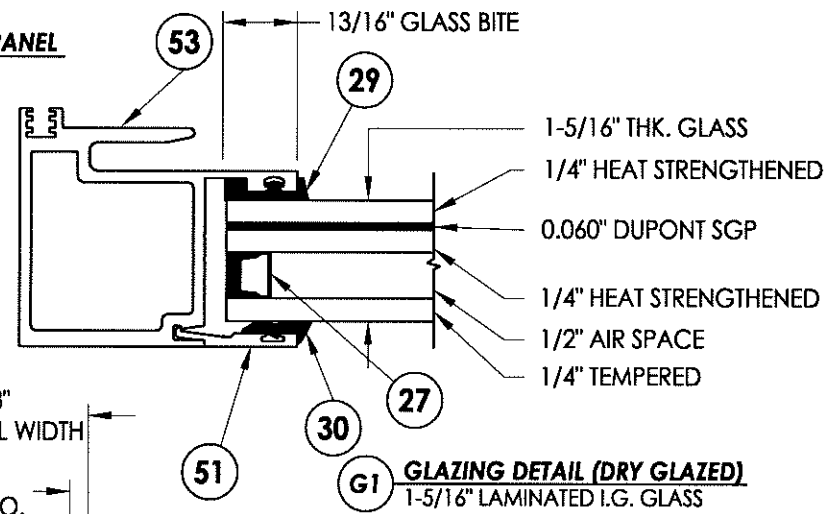
**OPERABLE PANEL**



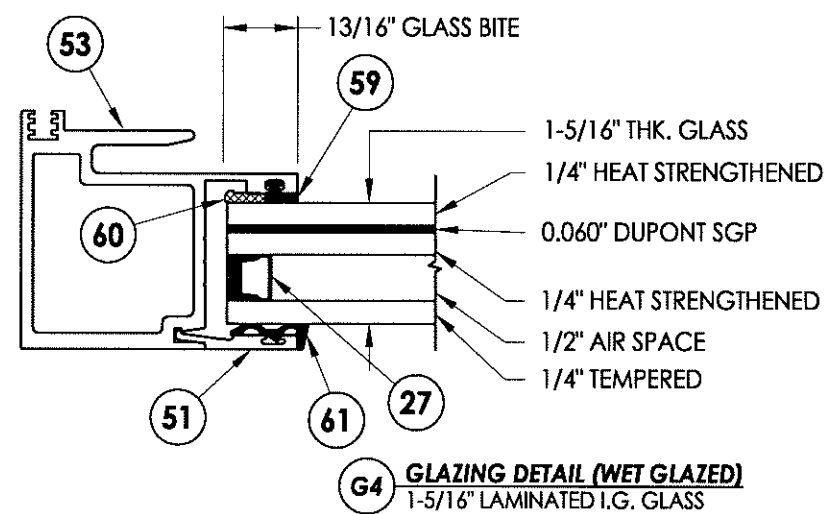
**1-3 HORIZONTAL CROSS SECTION**



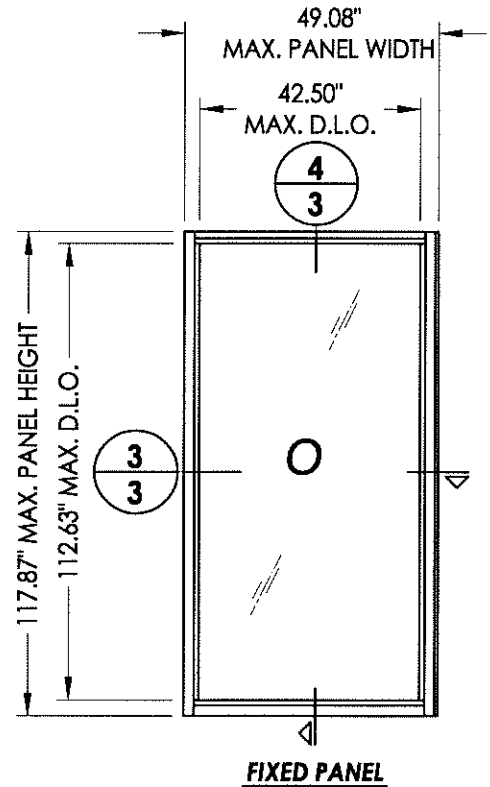
**2-3 VERTICAL CROSS SECTION**



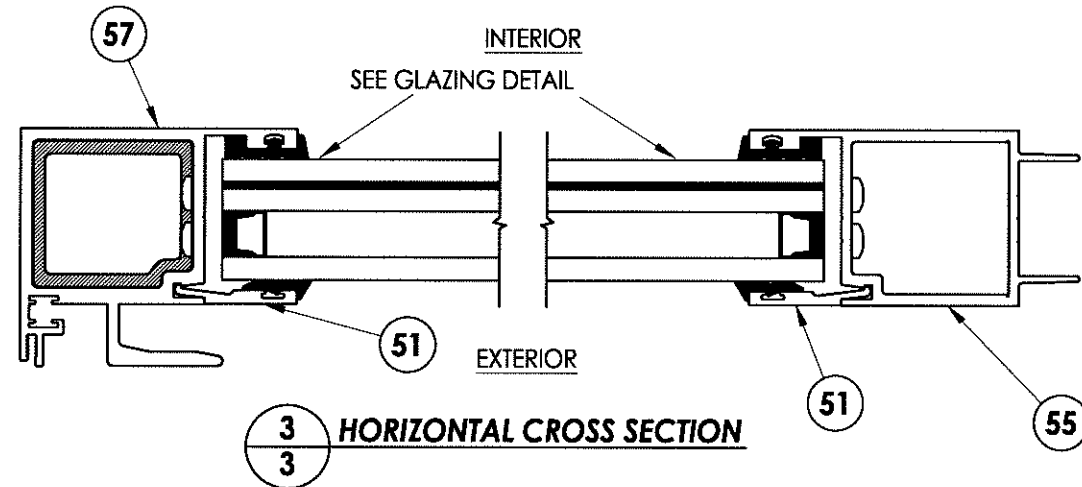
**G1 GLAZING DETAIL (DRY GLAZED)**  
1-5/16" LAMINATED I.G. GLASS



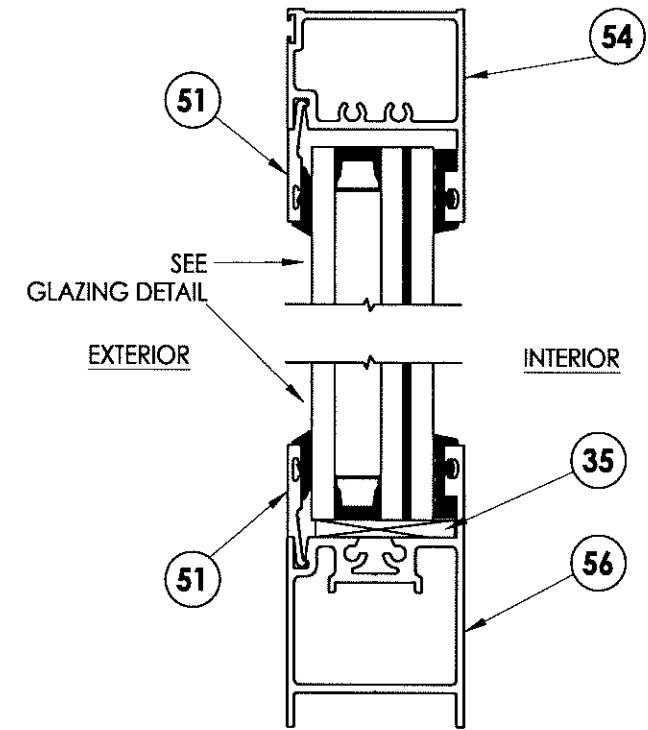
**G4 GLAZING DETAIL (WET GLAZED)**  
1-5/16" LAMINATED I.G. GLASS



**FIXED PANEL**



**3-3 HORIZONTAL CROSS SECTION**



**4-3 VERTICAL CROSS SECTION**

PRODUCT:

SLIDING GLASS DOOR

PART OR ASSEMBLY:

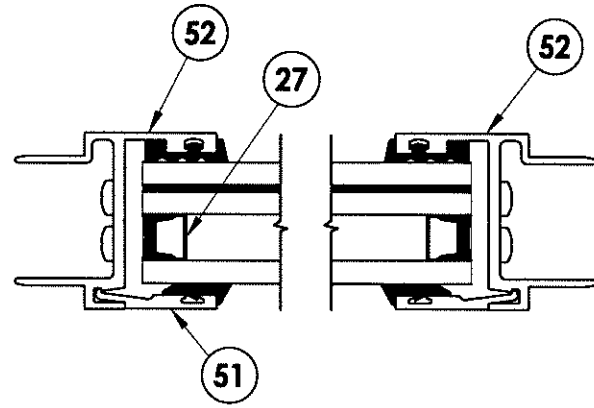
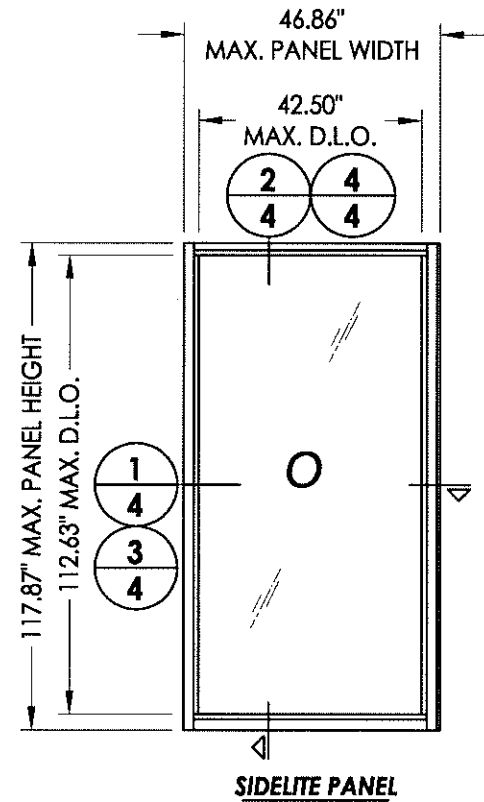
DOOR PANEL SECTIONS

Documents Prepared By:  
**RW** BUILDING CONSULTANTS, INC.  
P.O. Box 230 Valrico FL 33595  
Phone No.: 813.659.9197  
Florida Board of Professional Engineers  
Certificate Of Authorization No. 9813  
*RF* 8/27/12  
Lyndon F. Schmidt, P.E. No. 43409

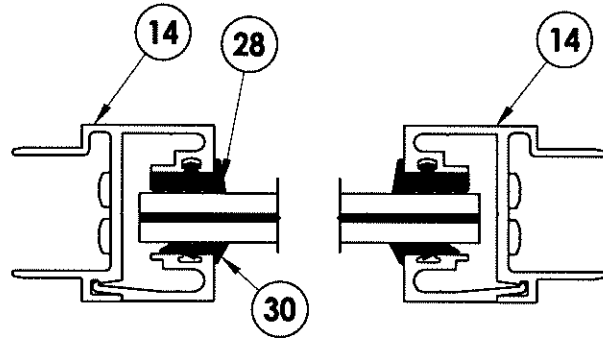
NO.	DATE	BY	REVISIONS

DATE: 8/24/12  
SCALE: N.T.S.  
DWG. BY: JK  
CHK. BY: LFS  
DRAWING NO.:  
FL-15903.19  
SHEET 3 of 11

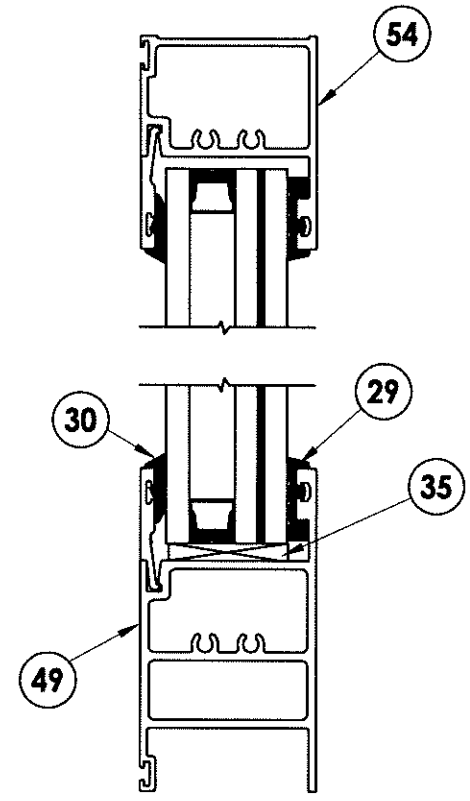
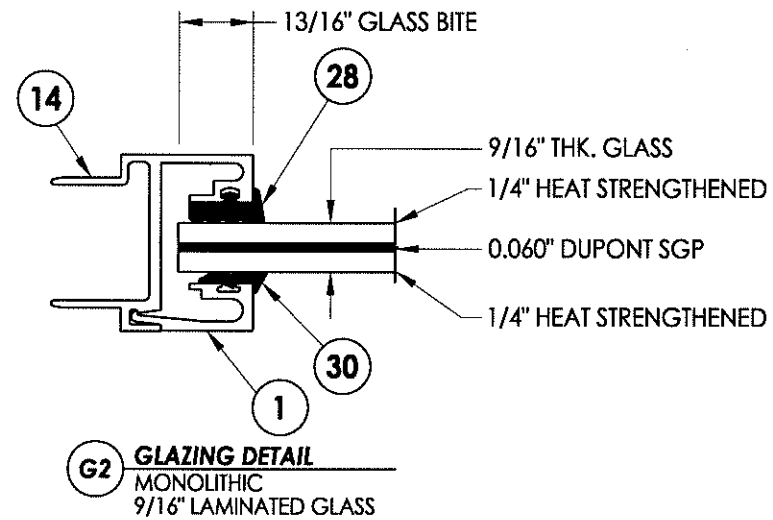
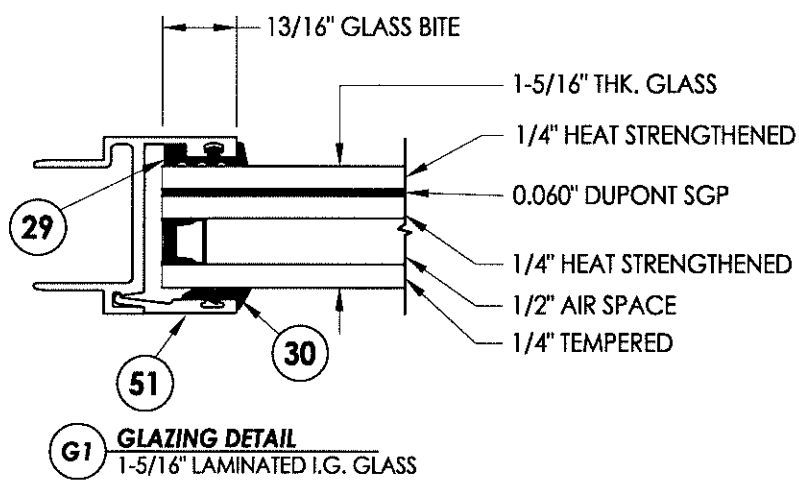
R:\A - Projects\Project Folders\Proj 1601 - 1700\PF 1692\DWG Drawings\FL-15903.13-21.dwg, 4.19



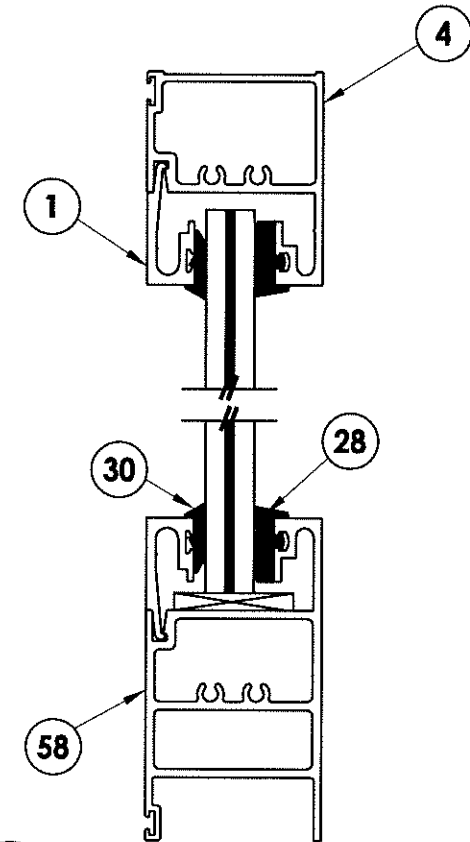
1  
4 **HORIZONTAL CROSS SECTION**



3  
4 **HORIZONTAL CROSS SECTION**



2  
4 **VERTICAL CROSS SECTION**



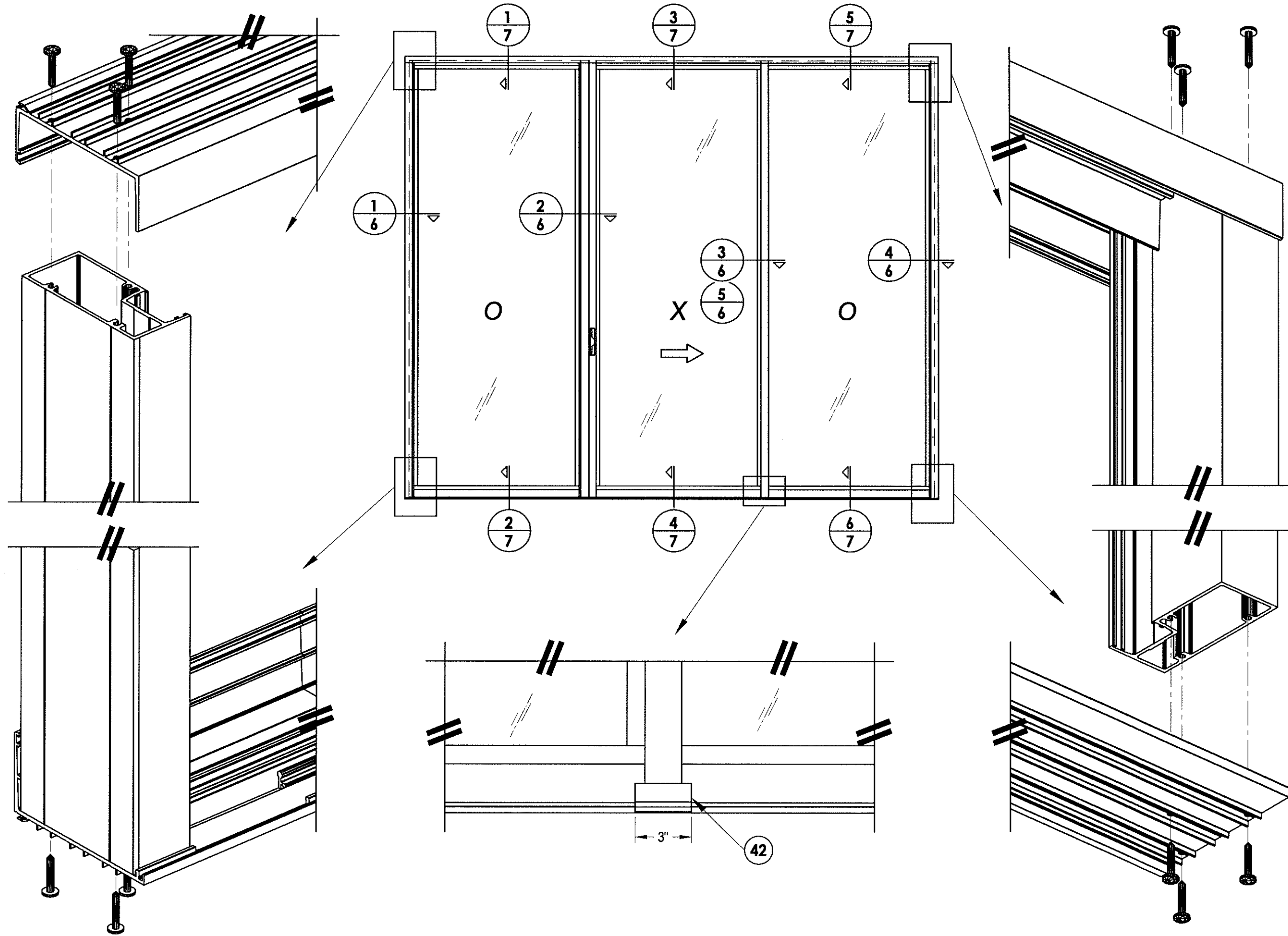
4  
4 **VERTICAL CROSS SECTION**

Documents Prepared By:  
**RW** BUILDING CONSULTANTS, INC.  
P.O. Box 230 Valrico FL 33595  
Phone No.: 813.659.9197  
Florida Board of Professional Engineers  
Certificate Of Authorization No. 9813  
*LFS* 8/22/12  
Lyndon F. Schmidt, P.E. No. 43409

PRODUCT: SLIDING GLASS DOOR  
PART OR ASSEMBLY: SIDELITE PANEL SECTIONS

NO.	DATE	BY	REVISIONS

DATE: 8/24/12  
SCALE: N.T.S.  
DWG. BY: JK  
CHK. BY: LFS  
DRAWING NO.: FL-15903.19  
SHEET 4 OF 11



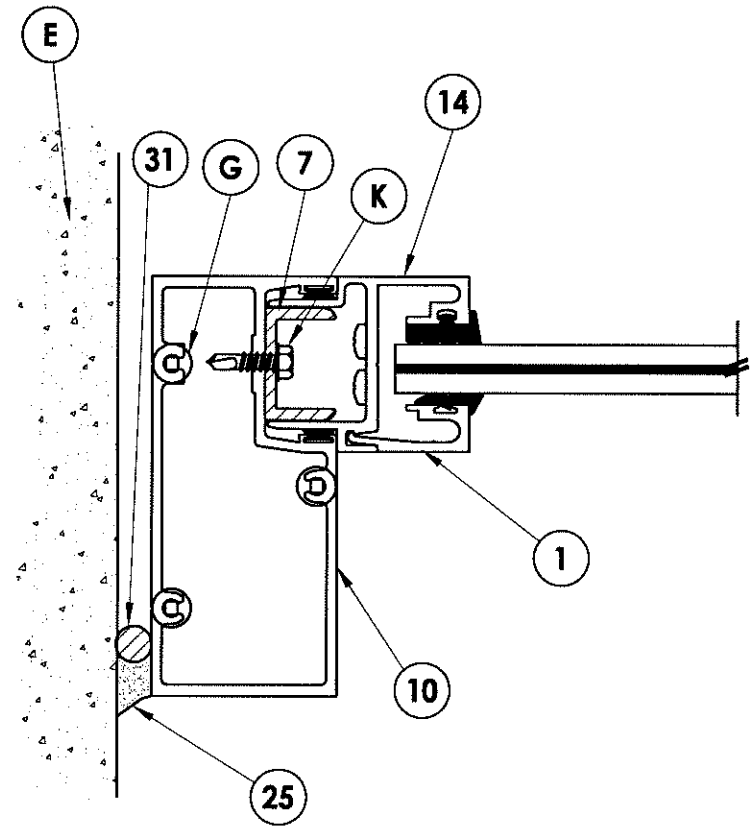
Documents Prepared By:  
**RW** BUILDING CONSULTANTS, INC.  
 P.O. Box 230 Valrico FL 33595  
 Phone No.: 813.659.9197  
 Florida Board of Professional Engineers  
 Certificate Of Authorization No. 9813  
*Lyndon F. Schmidt* P. 27-12  
 Lyndon F. Schmidt, P.E. No. 43409

PRODUCT:  
 SLIDING GLASS DOOR  
 PART OR ASSEMBLY:  
 CORNER DETAIL

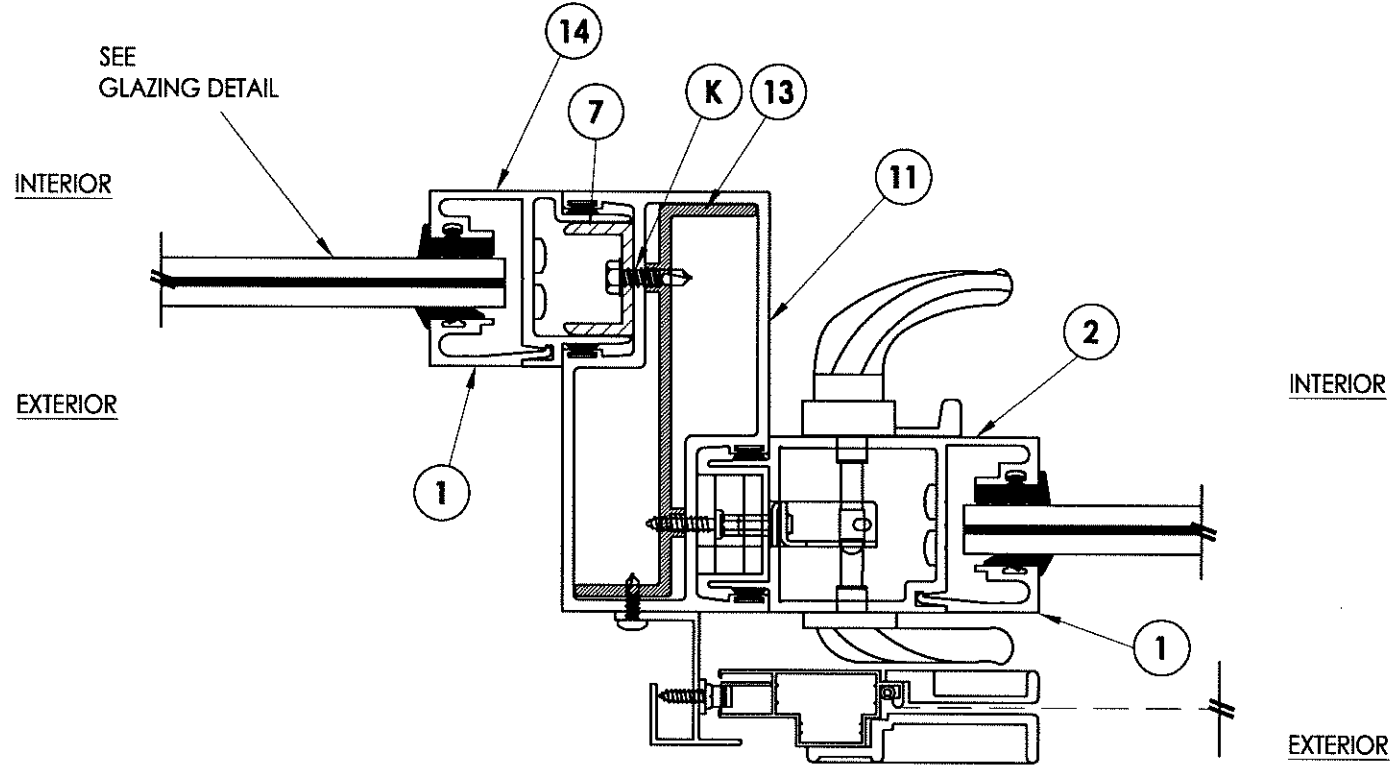
NO.	DATE	REVISIONS	BY

DATE: 8/24/12  
 SCALE: N.T.S.  
 DWG. BY: JK  
 CHK. BY: LFS  
 DRAWING NO.:  
 FL-15903.19  
 SHEET 5 OF 11

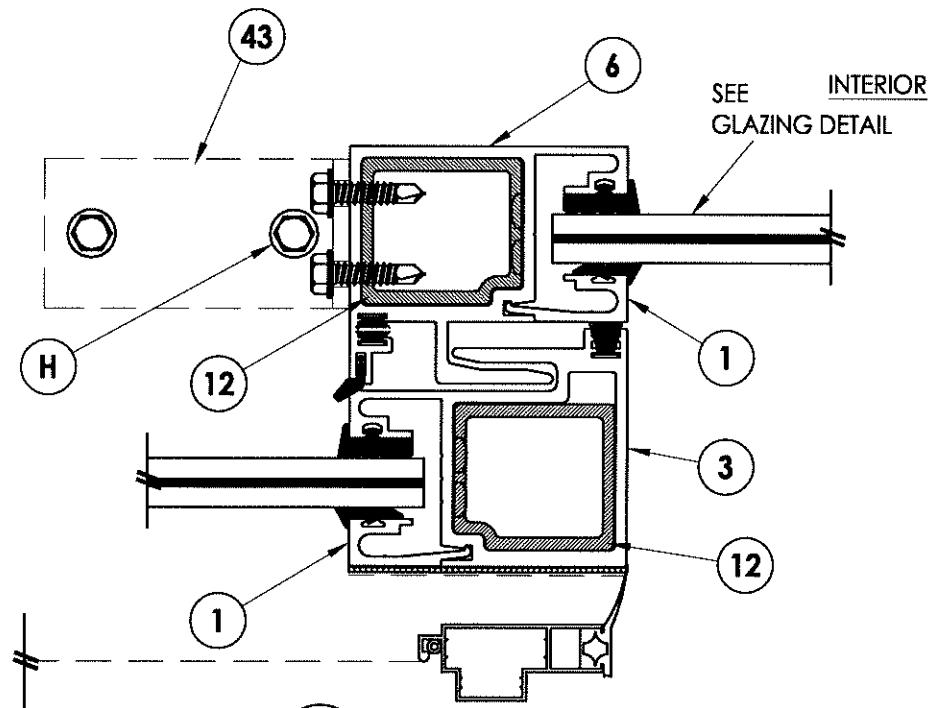
R:\VA - Projects\Project Folders\Proj 1601 - 1700\PF 1692\D. RWBC Drawings\FL-15903.13-21.dwg, 6.19



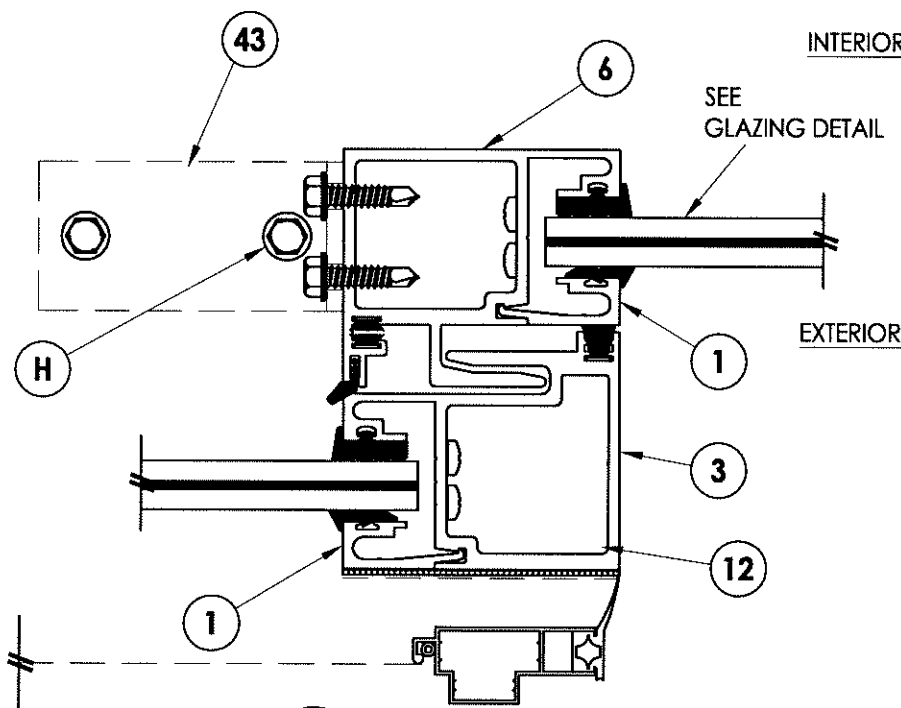
**1**  
**6** HORIZONTAL CROSS SECTION



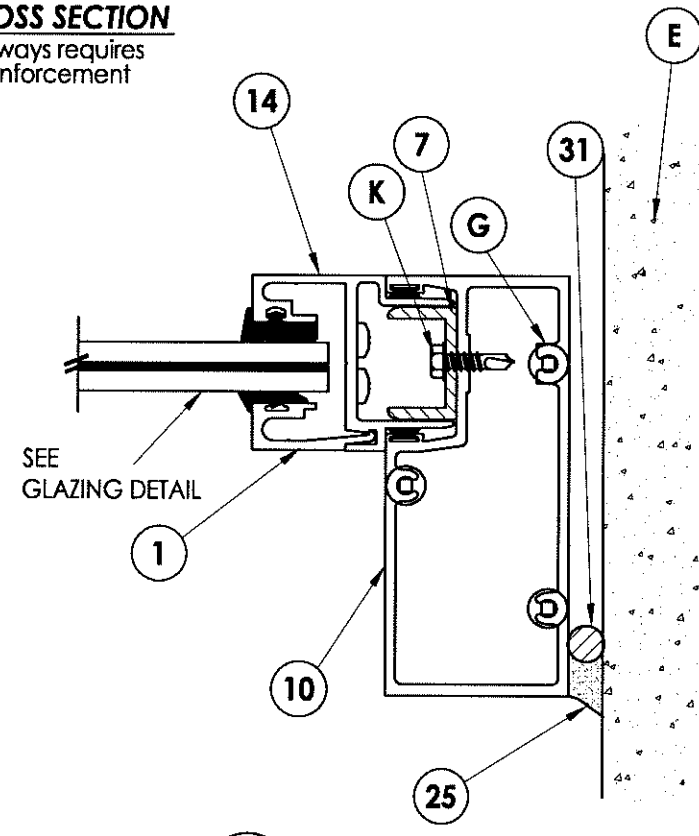
**2**  
**6** HORIZONTAL CROSS SECTION  
The OXO Adaptor always requires the OXO Adaptor reinforcement



**3**  
**6** HORIZONTAL CROSS SECTION  
With Reinforcement



**5**  
**6** HORIZONTAL CROSS SECTION  
Without Reinforcement



**4**  
**6** HORIZONTAL CROSS SECTION

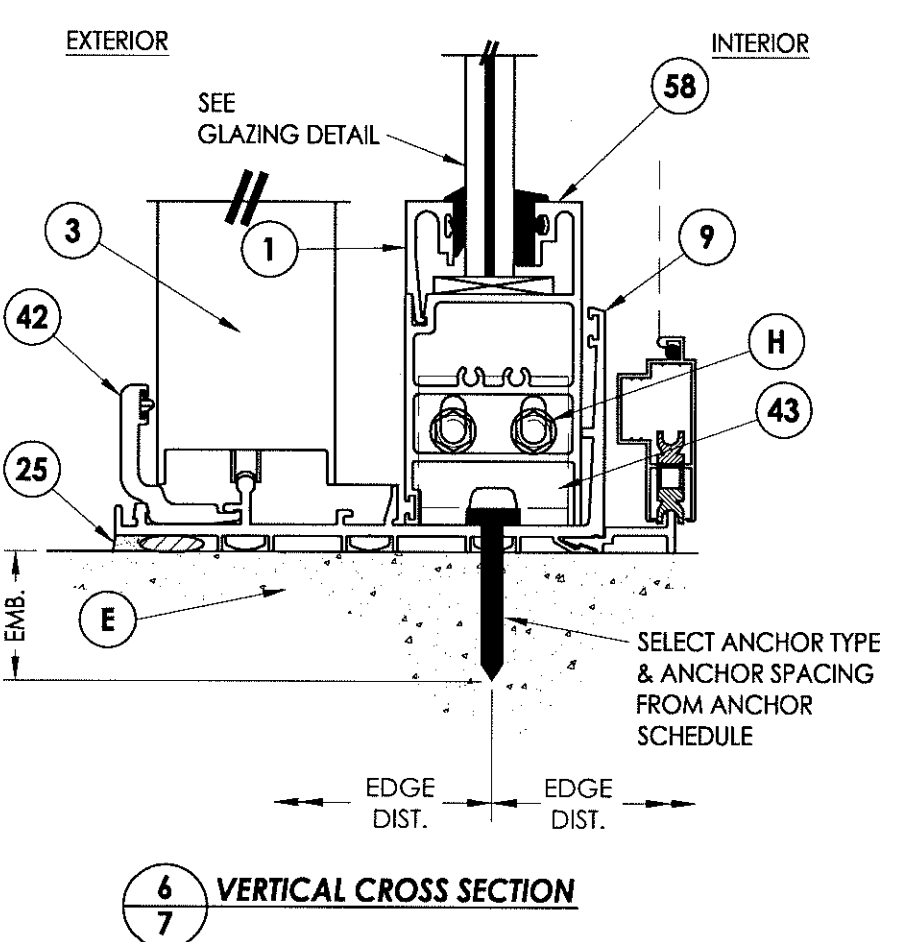
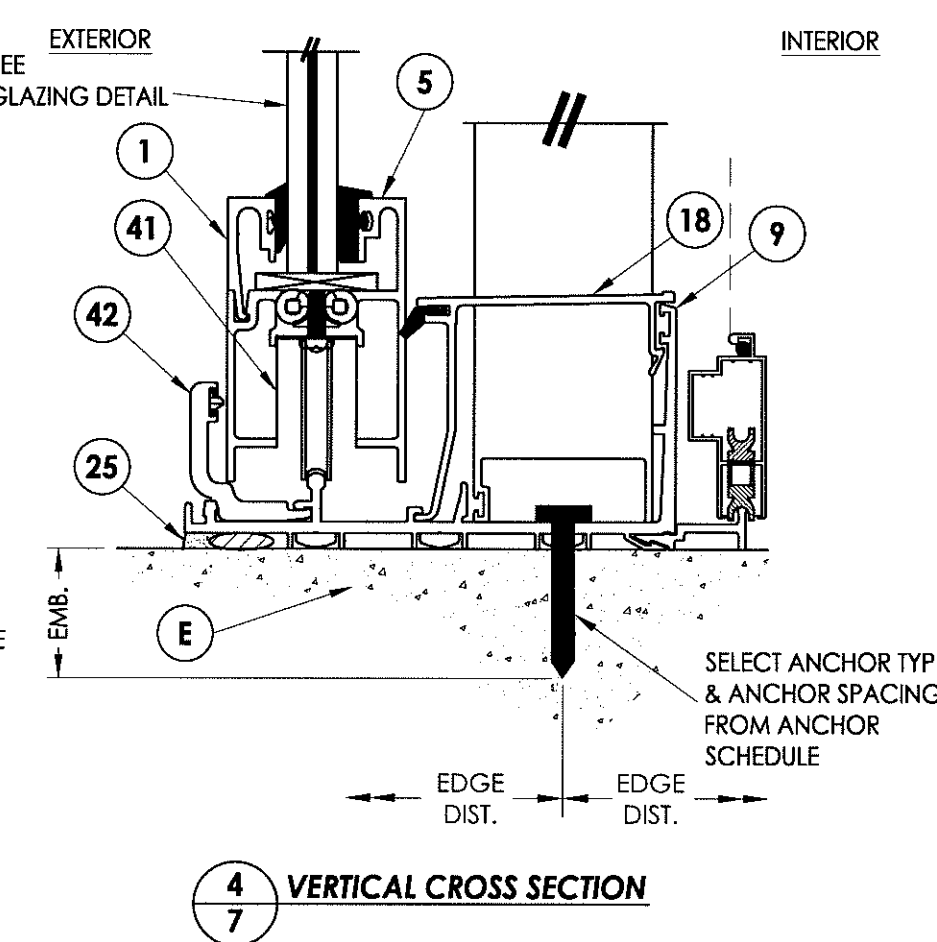
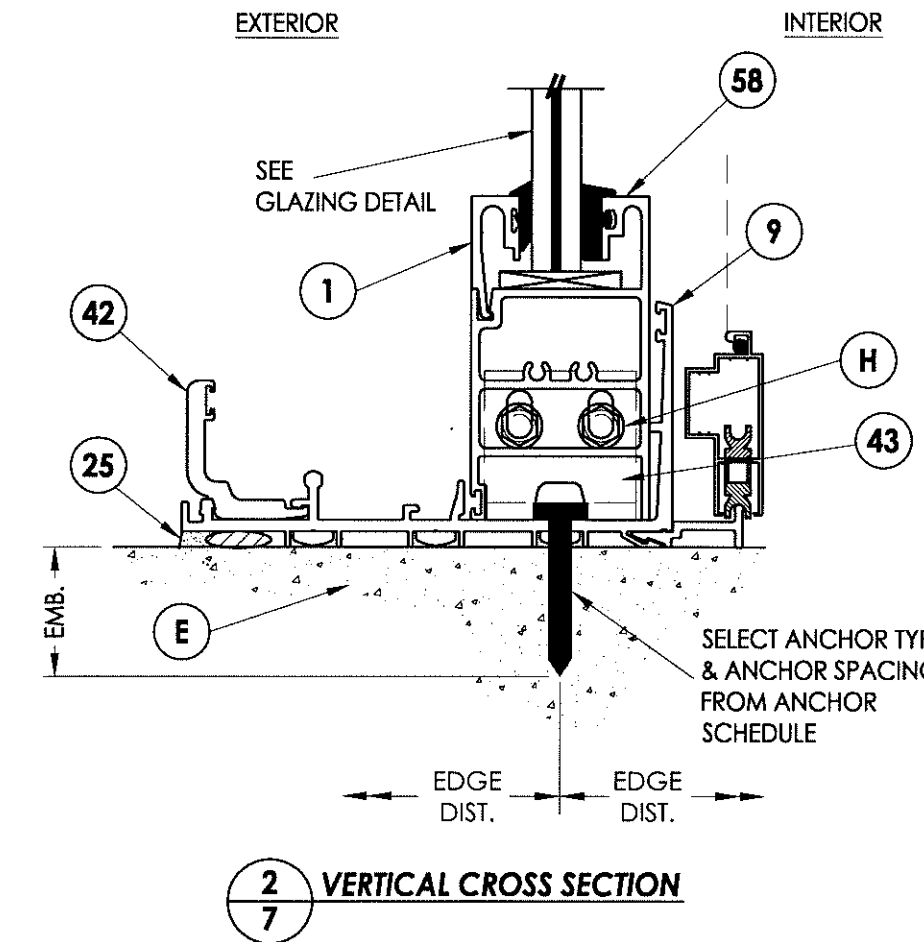
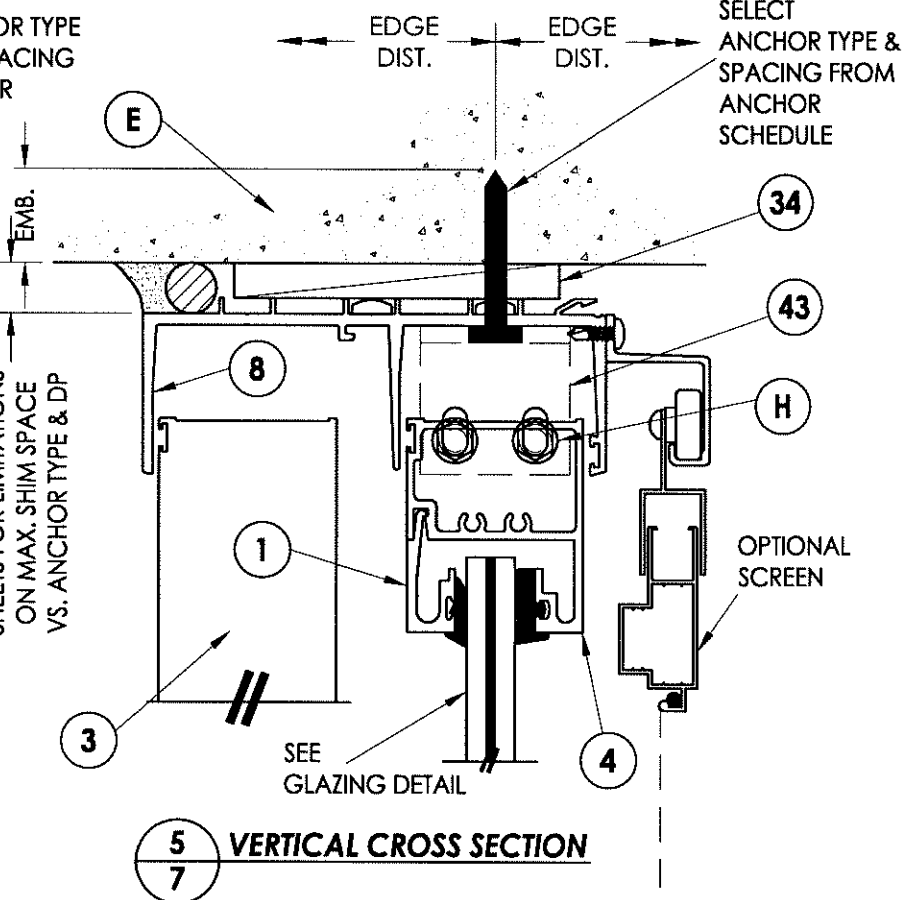
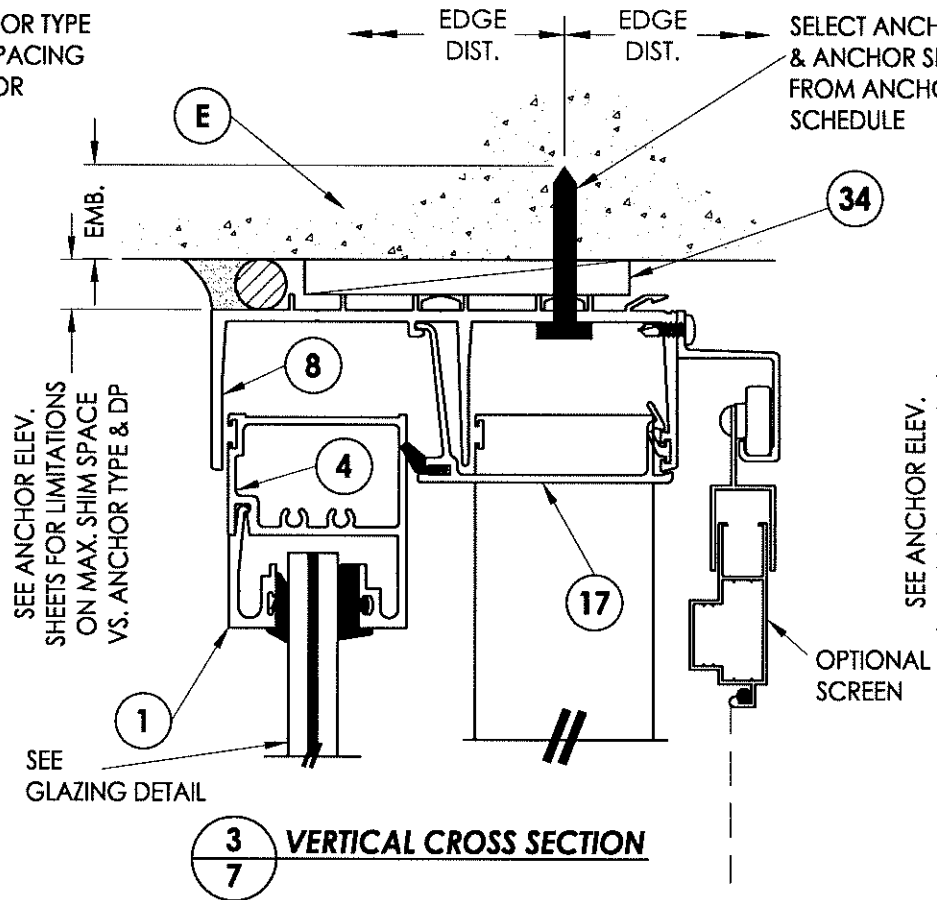
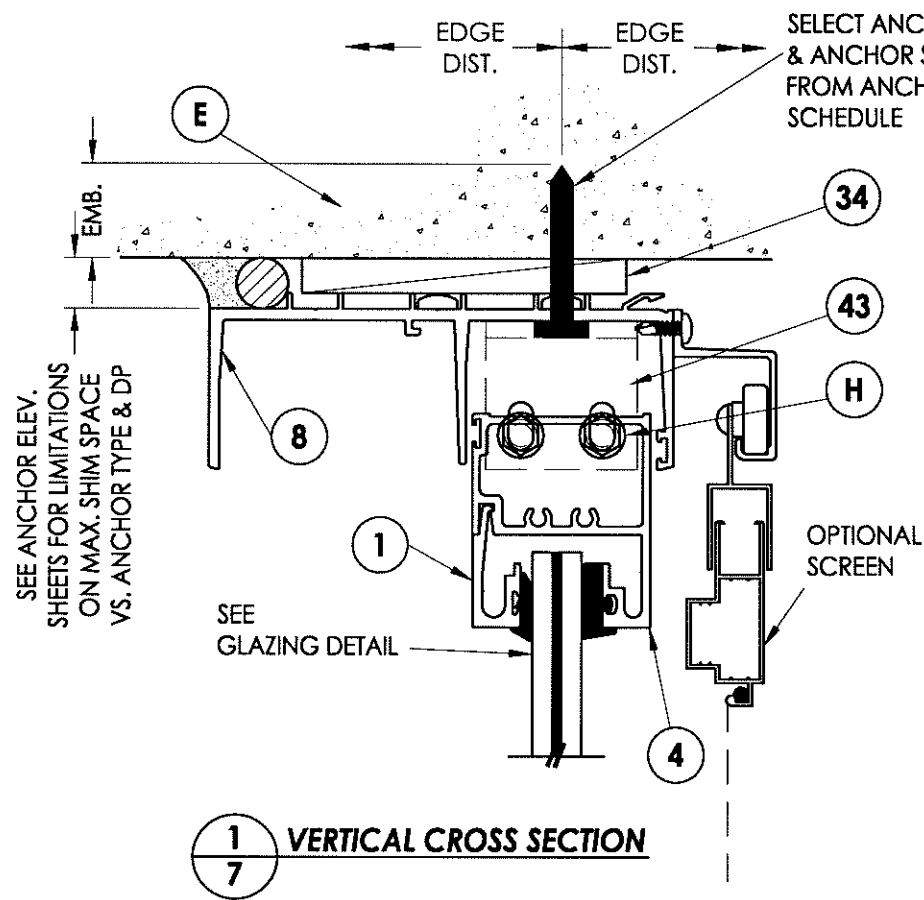
PRODUCT: SLIDING GLASS DOOR  
PART OR ASSEMBLY: HORIZONTAL CROSS SECTION

NO.	DATE	BY

DATE: 8/24/12  
SCALE: N.T.S.  
DWG. BY: JK  
CHK. BY: LFS  
DRAWING NO.: FL-15903.19  
SHEET 6 OF 11

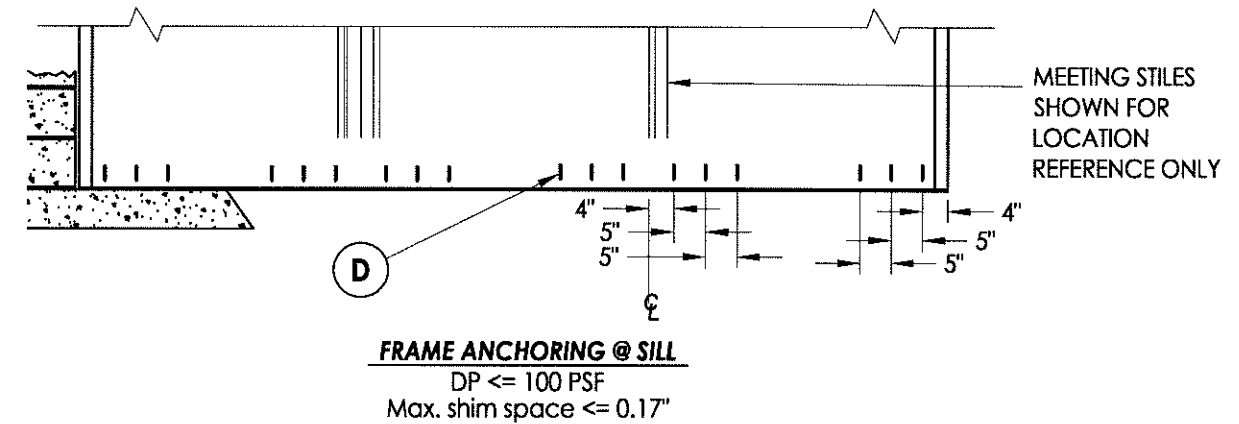
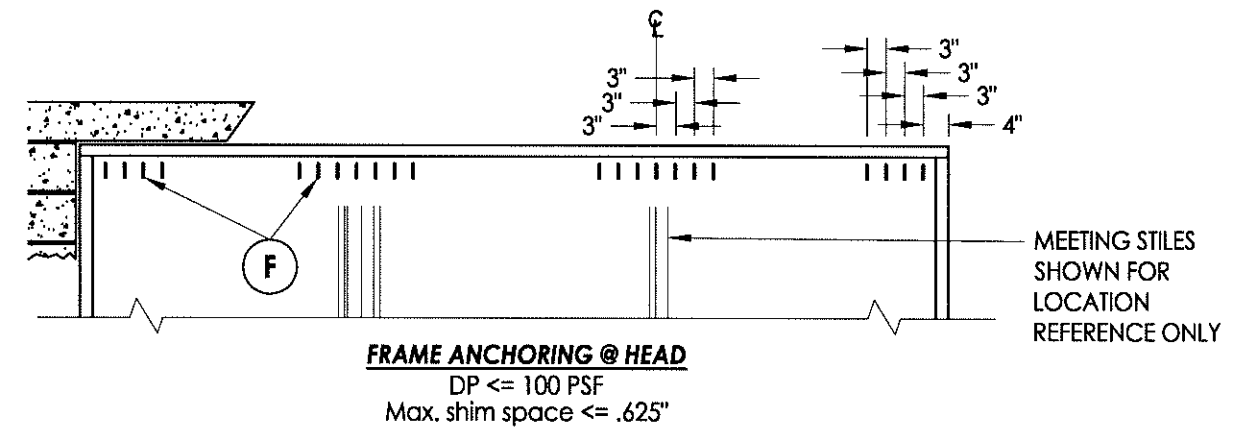
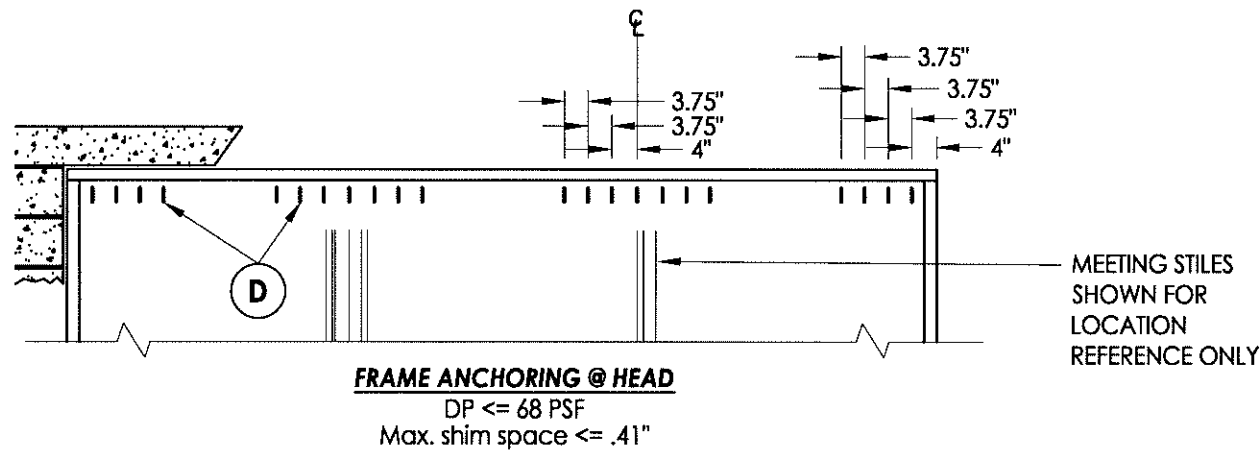
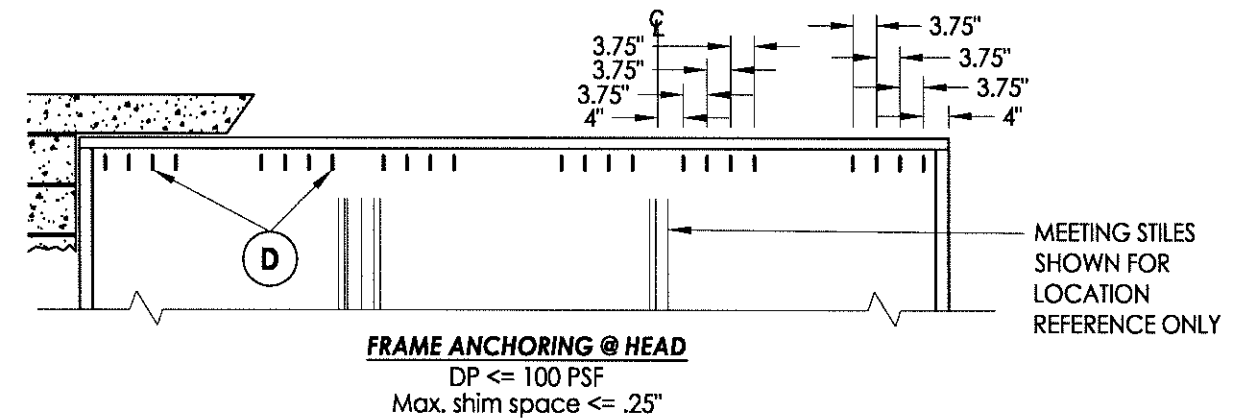
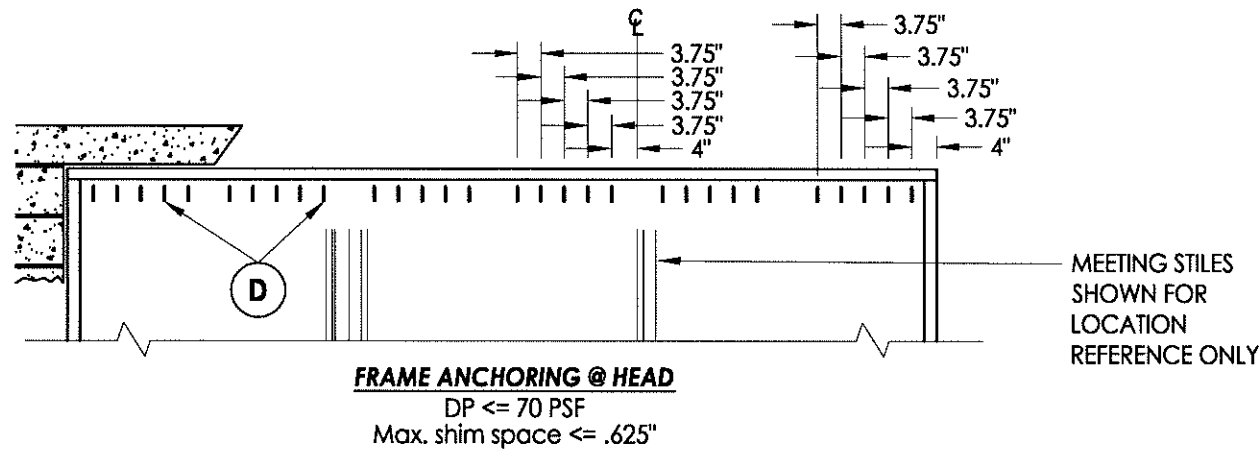
Documents Prepared By:  
**RW** BUILDING CONSULTANTS, INC.  
P.O. Box 230 Vairico FL 33595  
Phone No.: 813.659.9197  
Florida Board of Professional Engineers  
Certificate Of Authorization No. 9813  
*LFS* 8.27.12  
Lyndon F. Schmidt, P.E. No. 43409

R:\A - Projects\Project Folders\Proj 1601 - 1700\PF 1692\D. RWBC Drawings\FL-15903.13-21.dwg, 7.19



Documents Prepared By:		BUILDING CONSULTANTS, INC. P.O. Box 230 Valrico FL 33595 Phone No.: 813.659.9197	
PRODUCT: SLIDING GLASS DOOR		Florida Board of Professional Engineers Certificate Of Authorization No. 9813	
PART OR ASSEMBLY:		VERTICAL CROSS SECTION	
NO.		DATE	
BY		REVISIONS	
DATE: 8/24/12		SCALE: N.T.S.	
DWG. BY: JK		CHK. BY: LFS	
DRAWING NO.: FL-15903.19		SHEET 7 OF 11	

© 2012 R.W. BUILDING CONSULTANTS INC.



SUBSTRATE	ANCHOR SCHEDULE	
CONCRETE	D	5/16" x 2-3/4" ITW (XL) HWH concrete screw with 1.75" Min. embedment, 4" minimum edge distance and 3.75" minimum clearance to adjacent concrete anchors. Concrete is 2,899 PSI minimum conforming to ACI 301.
	F	3/8" diameter x 2-1/4" ITW Dyna-Bolt sleeve anchor with 1.5" minimum embedment, 2.5" minimum edge distance and 3.0" minimum clearance to adjacent concrete screws. Concrete is 2,000 PSI minimum conforming to ACI 301.

Documents Prepared By:  
**RW** BUILDING CONSULTANTS, INC.  
 P.O. Box 230 Valrico FL 33595  
 Phone No.: 813.659.9197  
 Florida Board of Professional Engineers  
 Certificate Of Authorization No. 9813  
 Lyndon F. Schmidt, P.E. No. 43409

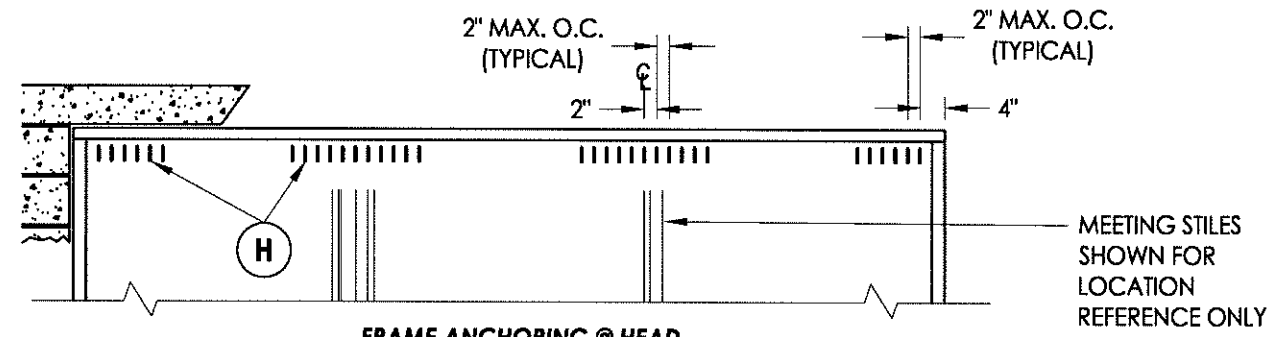
PRODUCT: SLIDING GLASS DOOR  
 PART OR ASSEMBLY: ANCHORING  
 CONCRETE SUBSTRATE

NO.	DATE	BY	REVISIONS

DATE: 8/24/12  
 SCALE: N.T.S.  
 DWG. BY: JK  
 CHK. BY: LFS  
 DRAWING NO.: FL-15903.19  
 SHEET 8 OF 11

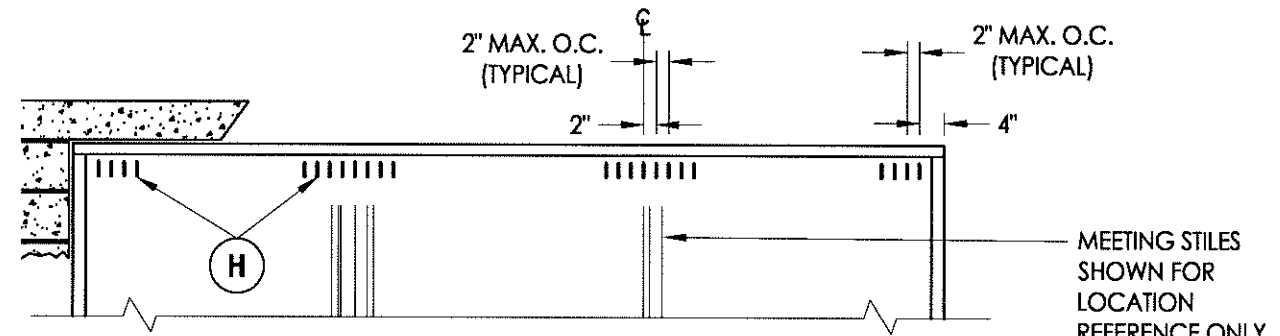


SUBSTRATE	ANCHOR SCHEDULE	
CONCRETE	D	5/16" x 2-3/4" ITW (XL) HWH concrete screw with 1.75" Min. embedment, 4" minimum edge distance and 3.75" minimum clearance to adjacent concrete anchors. Concrete is 2,899 PSI minimum conforming to ACI 301.
STEEL	H	1/4"-20 HWH Hilti KWIK PRO self-drilling screws. Steel with 0.125" minimum wall thickness conforming to ASTM A500 Grade B, Fy = 46,000 PSI & Fu = 58,000 PSI or ASTM A653, Fy = 33,000 PSI, Fu = 45,000 PSI. Minimum embedment of 3 threads through steel substrate.



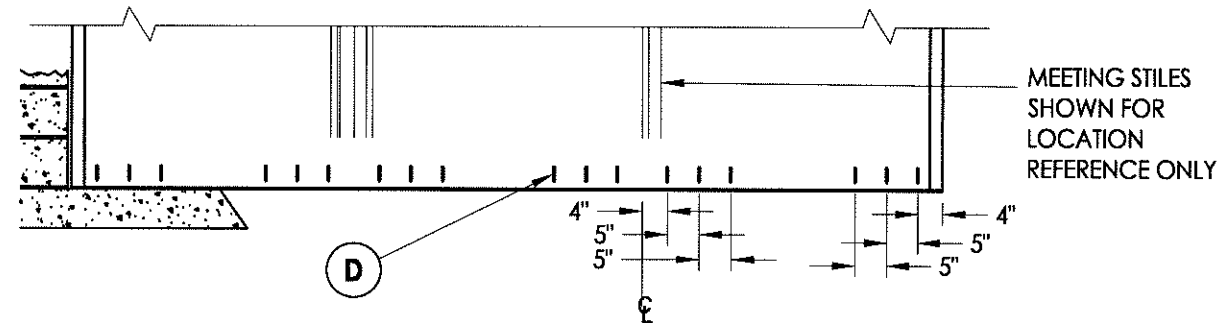
**FRAME ANCHORING @ HEAD**

Steel substrate  
DP <= 100 PSF  
Max. shim space <= .625"



**FRAME ANCHORING @ HEAD**

Steel substrate  
DP <= 78 PSF  
Max. shim space <= .625"



**FRAME ANCHORING @ SILL**

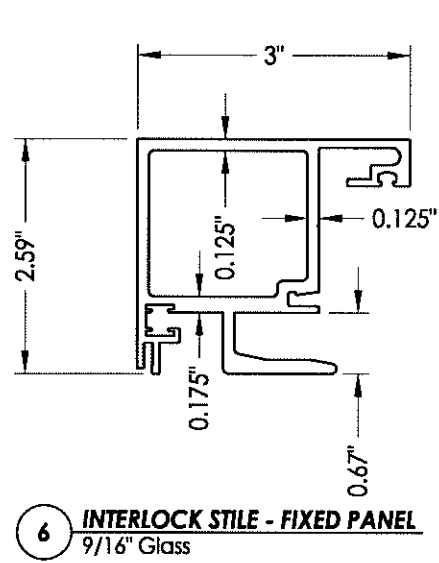
Concrete substrate  
DP <= 100 PSF  
Max. shim space <= 0.17"

Documents Prepared By:  
**RW** BUILDING CONSULTANTS, INC.  
P.O. Box 230 Valrico FL, 33595  
Phone No.: 813.659.9197  
Florida Board of Professional Engineers  
Certificate Of Authorization No. 9813  
Lyndon F. Schmidt, P.E. No. 43409

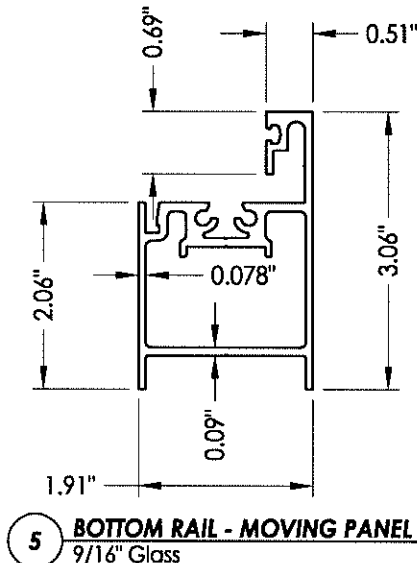
PRODUCT: SLIDING GLASS DOOR  
PART OR ASSEMBLY: ANCHORING STEEL SUBSTRATE

NO.	DATE	BY	REVISIONS

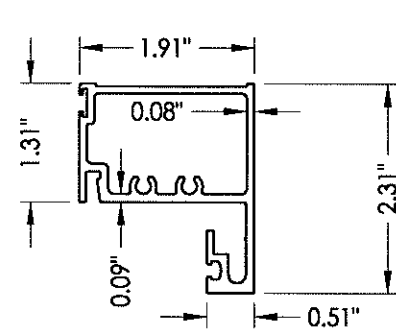
DATE: 8/24/12  
SCALE: N.T.S.  
DWG. BY: JK  
CHK. BY: LFS  
DRAWING NO.: FL-15903.19  
SHEET 9 OF 11



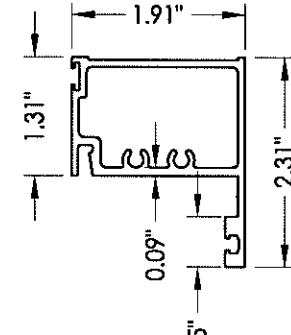
6 INTERLOCK STILE - FIXED PANEL  
9/16" Glass



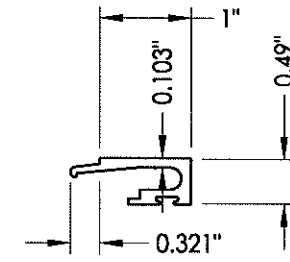
5 BOTTOM RAIL - MOVING PANEL  
9/16" Glass



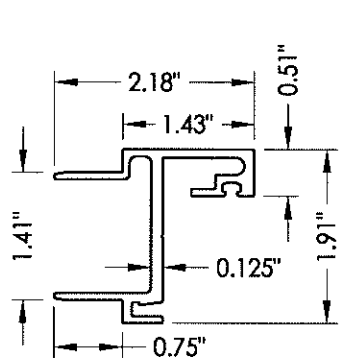
4 TOP RAIL  
9/16" Glass



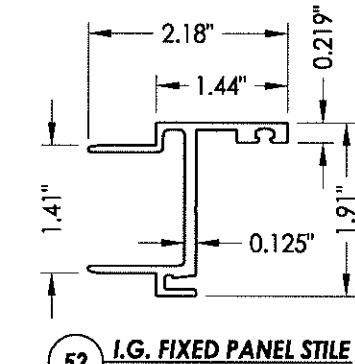
54 I.G. TOP RAIL  
1-5/16" Glass



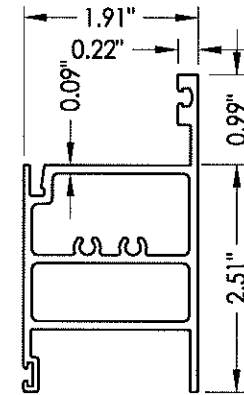
1 GLAZING BEAD  
9/16" Glass



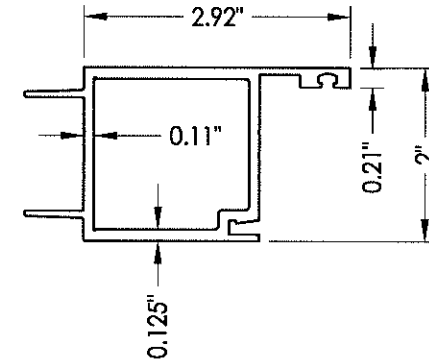
14 FIXED PANEL STILE  
9/16" Glass



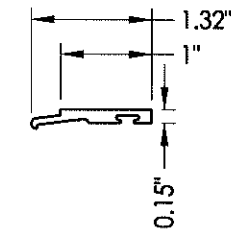
52 I.G. FIXED PANEL STILE  
1-5/16" Glass



49 I.G. BOTTOM RAIL - FIXED PANEL  
1-5/16" GLASS



55 I.G. LEAD STILE  
1-5/16" Glass



51 I.G. GLAZING BEAD  
1-5/16" Glass



30 WEDGE GASKET



28 PRE-SET GASKET



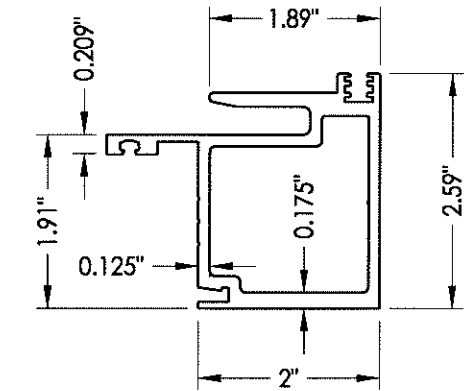
29 PRE-SET GASKET



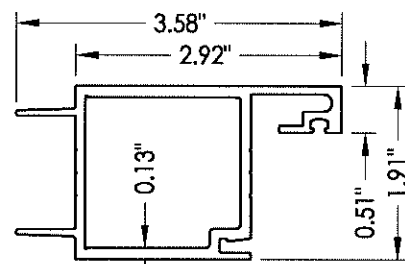
59 FOAM CAULK STOP



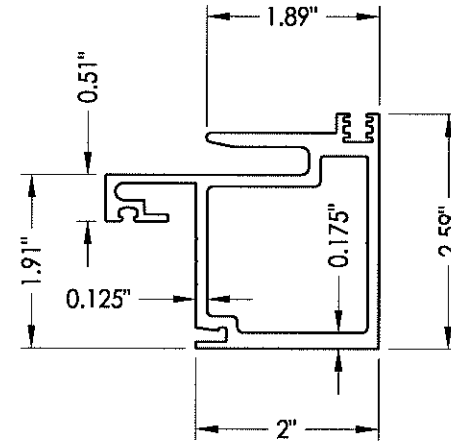
61 WEDGE



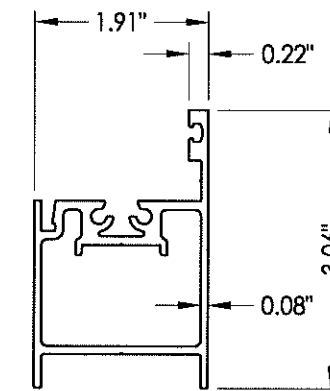
53 I.G. INTERLOCK STILE - MOVING PANEL  
1-5/16" Glass



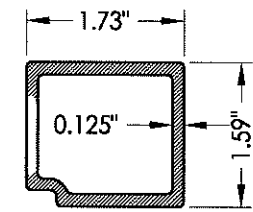
2 LEAD STILE  
9/16" Glass



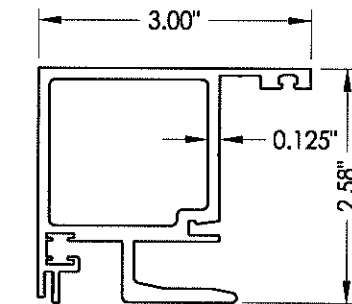
3 INTERLOCK STILE - MOVING PANEL  
9/16" Glass



56 I.G. BOTTOM RAIL - MOVING PANEL  
1-5/16" Glass



12 REINFORCEMENT



57 INTERLOCK STILE - FIXED PANEL  
1-5/16" Glass

Documents Prepared By:

**RW** BUILDING CONSULTANTS, INC.  
P.O. Box 230 Valrico FL 33595  
Phone No.: 813.659.9197  
Florida Board of Professional Engineers  
Certificate Of Authorization No. 9813  
*R.F.S. 2.27.12*  
Lyndon F. Schmidt, P.E. No. 43409

PRODUCT: SLIDING GLASS DOOR

PART OR ASSEMBLY: COMPONENTS

NO.	DATE	BY	REVISIONS

DATE: 02/26/08

SCALE: N.T.S.

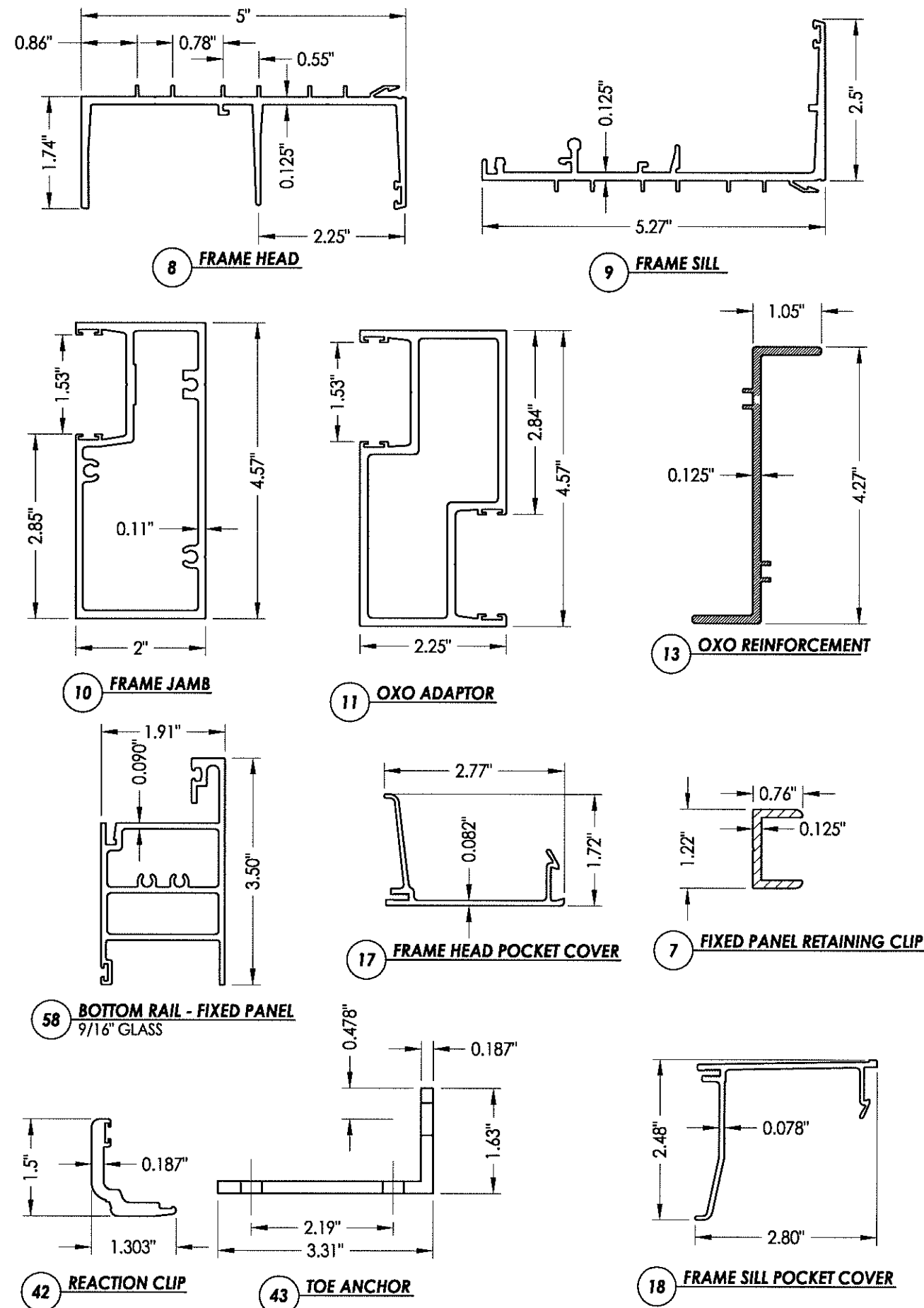
DWG. BY: JK

CHK. BY: LFS

DRAWING NO.: FL-15903.19

SHEET 10 OF 11

BILL OF MATERIALS		
ITEM	DESCRIPTION	MATERIAL
D	5/16" X 2-3/4" ITW HWH CONCRETE SCREW	STEEL
E	MASONRY - 3,192 PSI MIN. CONCRETE CONFORMING TO ACI 301 OR HOLLOW BLOCK CONFORMING TO ASTM C90	CONCRETE
F	3/8" X 2-1/2" DYNA BOLT SLEEVE ANCHOR	STL. STEEL
G	#10 X 1-1/2" SQ-PH ASSEMBLY SCREW	STL. STEEL
H	1/4"-20 HWH HILTI KWIK PRO SELF-DRILLING SCREW (WITH KWIK-COTE COATING)	STL. STEEL
K	#10 X 3/4" HH-SELF TAP SCREW	STL. STEEL
1	GLAZING BEAD 6063-T6 (9/16")	ALUM
2	LEAD STYLE 6063-T6 (9/16")	ALUM
3	INTERLOCK STILE - MOVING PANEL 6005-T5 (9/16")	ALUM
4	TOP RAIL 6063-T6 (9/16")	ALUM
5	BOTTOM RAIL - MOVING PANEL 6063-T6 (9/16")	ALUM
6	INTERLOCK STILE - FIXED PANEL 6005-T6 (9/16")	ALUM
7	FIXED PANEL RETAINING CLIP 6063-T6	ALUM
8	FRAME HEAD 6063-T6	ALUM
9	FRAME SILL 6063-T6	ALUM
10	FRAME JAMB 6063-T6	ALUM
11	OXO ADAPTOR 6005-T5	ALUM
12	REINFORCEMENT 6005-T5	ALUM
13	OXO REINFORCEMENT 6005-T5	ALUM
14	FIXED PANEL STILE 6063-T6 (9/16")	ALUM
17	FRAME HEAD POCKET COVER 6063-T6	ALUM
18	FRAME SILL POCKET COVER 6063-T6	ALUM
25	WEATHERSEAL SEALANT (WS001) DOW 795	SILICONE
27	GLAZING SPACER	-
28	GASKET, EPDM CLOSED CELL FOAM (9/16" STRUCTURAL GLAZING)	EPDM
29	GASKET, EPDM CLOSED CELL FOAM (1-5/16" GLAZING)	EPDM
30	WEDGE 70±5 EPDM (1-5/16" GLAZING)	EPDM
31	BACKER ROD - CLOSED CELL EXTRUDED FOAM	POLYETHYLENE
34	SHIM	-
35	SETTING/EDGE BLOCK	PLASTIC
41	ROLLER ASSM.	STL. STEEL
42	REACTION CLIP 6005-T5	ALUM
43	TOE ANCHOR 6005-T5	STEEL
49	BOTTOM RAIL - FIXED PANEL 6063-T6 (1-5/16")	ALUM
51	I.G. GLAZING BEAD 6063-T6 (1-5/16")	ALUM
52	I.G. FIXED PANEL STILE 6063-T6 (1-5/16")	ALUM
53	I.G. INTERLOCK STILE - MOVING PANEL 6063-T6 (1-5/16")	ALUM
54	I.G. TOP RAIL 6063-T6 (1-5/16")	ALUM
55	I.G. LEAD STILE 6063-T6 (1-5/16")	ALUM
56	I.G. BOTTOM RAIL - MOVING PANEL 6063-T6 (1-5/16")	ALUM
57	INTERLOCK STILE - FIXED PANEL (1-5/16")	ALUM
58	BOTTOM RAIL - FIXED PANEL 6063-T6 (9/16")	ALUM
59	CAULK STOP, EPDM CLOSED CELL FOAM (9/16" STRUCTURAL GLAZING)	EPDM
60	STRUCTURAL SILICONE DOW 995	SILICONE
61	WEDGE, 70±5 EPDM (9/16" GLAZING)	EPDM



Documents Prepared By: **RW BUILDING CONSULTANTS, INC.**  
 P.O. Box 230 Valrico FL 33595  
 Phone No.: 813.659.9197  
 Florida Board of Professional Engineers  
 Certificate Of Authorization No. 9813  
 Lyndon F. Schmidt, P.E. No. 43409

PRODUCT: **SLIDING GLASS DOOR**

PART OR ASSEMBLY: **BILL OF MATERIALS & COMPONENTS**

NO.	DATE	BY

REVISIONS

DATE: 02/26/08  
 SCALE: N.T.S.  
 DWG. BY: JK  
 CHK. BY: LFS  
 DRAWING NO.: FL-15903.19  
 SHEET 11 OF 11

© 2012 R.W. BUILDING CONSULTANTS INC.